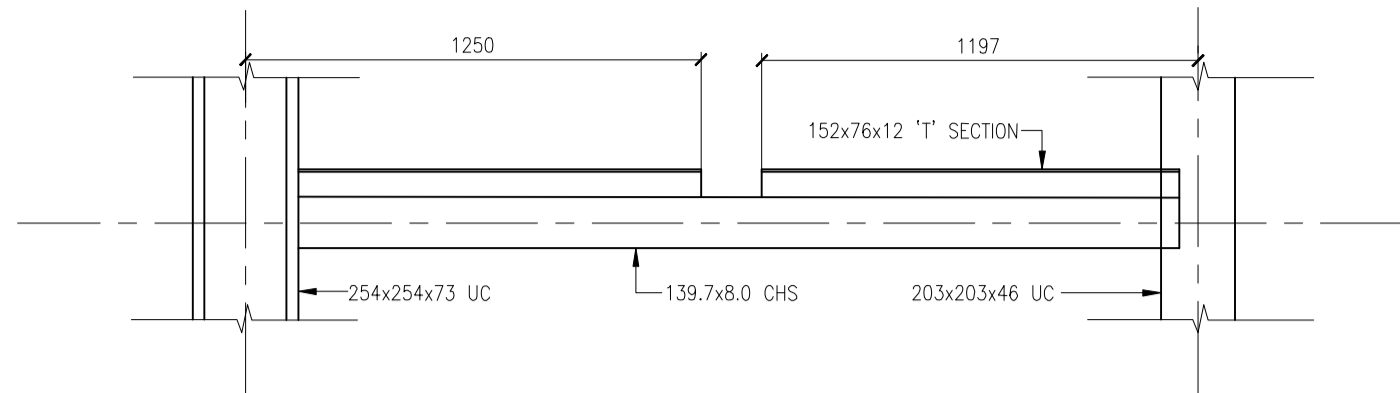
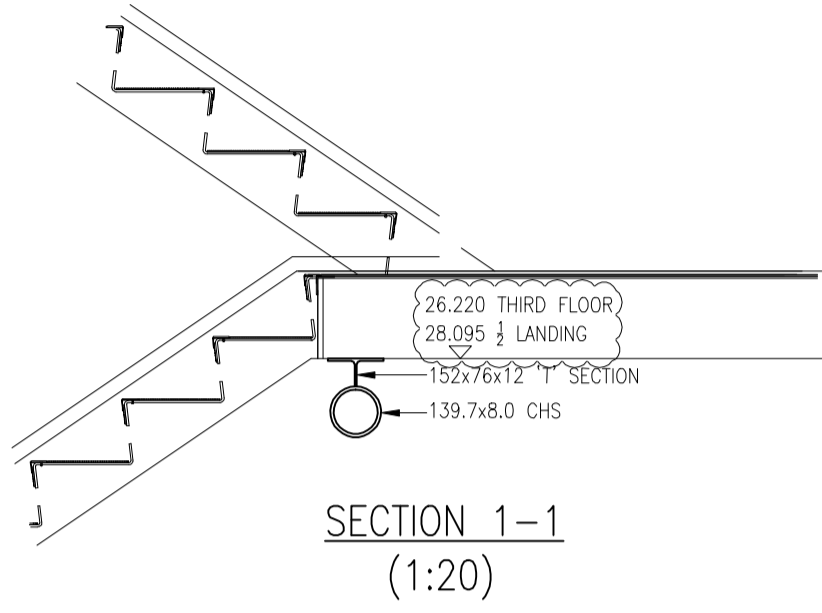


T.O.S. LEVEL = 26.220m U.N.O.



NOTES

- DO NOT SCALE THIS DRAWING. ALL DIMENSIONS MUST BE CHECKED/VERIFIED ON SITE IF IN DOUBT ASK.
 - THIS DRAWING IS TO BE READ IN CONJUNCTION WITH ALL RELEVANT ARCHITECTS, ENGINEERS AND SPECIALISTS DRAWINGS AND SPECIFICATIONS.
 - ALL DIMENSIONS IN MILLIMETRES UNLESS NOTED OTHERWISE. ALL LEVELS IN METRES UNLESS NOTED OTHERWISE.
 - ANY DISCREPANCIES NOTED ON SITE ARE TO BE REPORTED TO THE ENGINEER IMMEDIATELY.
- KEY:**
(...) = No OF SHEAR STUDS REQUIRED
- IN THE ABSENCE OF A PROJECT SPECIFIC SPECIFICATION THE BASE SPECIFICATION FOR STRUCTURAL STEELWORK SHALL BE BS5950 'STRUCTURAL USE OF STEELWORK IN BUILDING' AND THE 'NATIONAL STEELWORK SPECIFICATION' PRODUCED BY THE B.C.S.A.
 - STRUCTURAL STEELWORK TO BE GRADE S275JR UNLESS NOTED OTHERWISE.
 - ALL REACTIONS (ULTIMATE) SHOWN THUS (**) ARE IN KN. ALL MOMENTS (ULTIMATE) SHOWN THUS (**) ARE IN KNM. ALL BEAM/COLUMN OFFSETS SHOWN THUS ** ARE IN MM.
 - ALL CONNECTIONS SHALL HAVE A MINIMUM OF 2 NO BOLTS AND BE DESIGNED FOR A MINIMUM 50 KN (ULTIMATE) REACTION UNLESS NOTED OTHERWISE.
 - THE MINIMUM SPECIFICATION FOR BOLTS SHALL BE 8.8 AND ZINC PLATED.
 - BASEPLATE AND HOLDING DOWN BOLTS TO BE DESIGNED AND DETAILED BY THE STEELWORK SUB CONTRACTOR UNLESS NOTED OTHERWISE.
 - HOLDING DOWN BOLTS AND WASHER PLATES ARE TO BE SUPPLIED BY THE STEELWORK SUB CONTRACTOR UNLESS NOTED OTHERWISE.
 - ALL BEAMS/STANCHIONS SHALL BE LOCATED SYMMETRICALLY ON GRID LINES UNLESS NOTED OTHERWISE.
 - ALL PLAN DIMENSIONS ARE SHOWN TO CENTRE LINES OF BEAMS OR STANCHIONS UNLESS NOTED OTHERWISE.
 - ALL LEVELS SHOWN THUS TOS (****) ARE TO TOPS OF BEAMS OR STANCHIONS UNLESS NOTED OTHERWISE.
 - FOR DETAILS OF FIRE PROTECTION TO STEELWORK REFER TO ARCHITECT'S DETAILS.
 - ALL STEELWORK BELOW GROUND LEVEL TO BE ENCASED WITH 100MM CONCRETE (MIX AS FOR FOUNDATIONS) AND WITH D49 WRAPPING FABRIC AS DIRECTED BY THE ENGINEER.
 - DESIGN OF ALL TEMPORARY WORKS, PROPPING AND BRACING SHALL BE THE RESPONSIBILITY OF THE STEELWORK SUB CONTRACTOR.

(MF) INDICATES MOMENT FRAME
(VB) INDICATES VERTICAL BRACING

Rev	Date	Description	Drawn	Auth'd
C	12.02.08	PLAN UPDATED & REVISIONS SHOWN THUS	T.W.	D.G.
B	30.01.08	ELEVATION A ADDED. STEEL REVISED.	T.W.	D.G.
A	14.07.08	STEEL REVISED SHOWN THUS	T.W.	D.G.
P3	19.12.07	STEEL REVISED	T.W.	D.G.
P2	10.12.07	STEEL SIZES REVISED	T.W.	D.G.
P1	27.11.07	PRELIMINARY ISSUE	T.W.	D.G.

AMENDMENTS



Integrated Engineering and Environmental Consultants
Whitehall Waterfront 2 Riverside Way Leeds LS1 4EH
T 0113 233 8000 F 0113 245 0854 W bwbconsulting.com
environment | water | transportation | civil | structural | highways | infrastructure

Client
LAZARUS PROPERTIES LTD

Project Title
224 PRINCE'S STREET, DONCASTER.

Drawing Title
THIRD FLOOR G.A.

Scale	Date	Drawn	Authorised
AS SHOWN	06.11.07	TW	DG

Drawing Status
CONSTRUCTION

Drawing No:	Revision
LDS/327/610	C

ALL SETTING OUT AND TOP OF STEEL LEVELS TO BE CONFIRMED BY THE ARCHITECT PRIOR TO FABRICATION.

THIRD FLOOR G.A.
(1:50)

ALL COLUMNS SHOWN ARE FROM THIS LEVEL DOWN.

